



Intumescent Quickstop Couplings

PFC Corofil Quickstop Intumescent Couplings offer specifiers and contractors, a more reliable and practical method to firestop PVC pipework systems. This revolutionary, injection moulded intumescent pipe fitting, has been tested to BS476 Part 20/pr-EN 1366-3/ UL standards and provides up to 2 hours fire protection in walls and floors. Uniquely, PFC Corofil Intumescent Firestop Couplings offer BBA accreditation for installation as an integral part of any solvent weld uPVC or MuPVC pipework system.

- Easily installed in areas of difficult access
- Reduced labour costs
- Reduces making good costs in diamond drilled holes
- Easy identification for auditing in building inspection or fire risk assessment
- Single source of responsibility - the plumbing engineer
- Maintenance free
- Available for 55mm, 82mm and 110mm pipe sizes



Description

Quickstop Intumescent Couplings are injection moulded from a patented intumescent polymer to form both a coupling fitting and a two hour firestop for PVC pipework.

The PFC Corofil Quickstop Intumescent Coupling is positioned within the fire rated wall or floor. PVC pipework or spigotted pipe bends are simply solvent welded into the coupling.

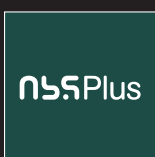
Any voids around the unit are made good with either mortar, concrete or Firestop Compound.

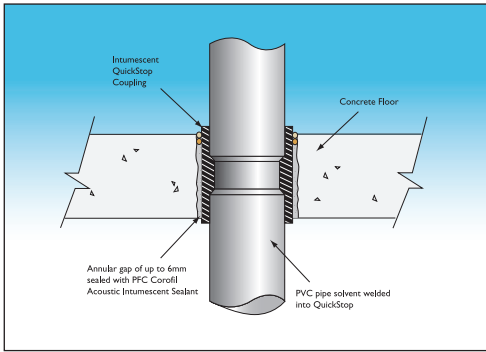
Within diamond drilled holes, Quickstop Couplings can be installed with up to a 6mm annular gap. PFC Corofil Acoustic Intumescent Sealant can then be used to form a smoke and acoustic seal.

In walls, only one Quickstop has to be fitted compared with the mandatory two number Intumescent Pipe Collars or Pipe Wraps.

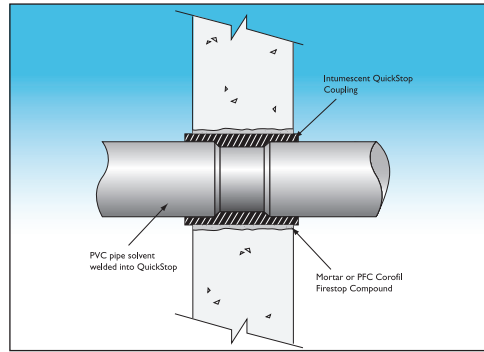
Under fire conditions, the Quickstop Intumescent Coupling rapidly expands filling the void left by the burnt out plastic pipe.

This is an engineered product, fitted by an engineer - giving specifiers and building owners reassurance that it will perform when it needs to.





Quickstop coupling installed in diamond drill hole in



Quickstop coupling installed in masonry wall, made good with Firestop compound or mortar.

Fire Rating

| Outside diameter of pipework (mm) | Fire Rating (hours) |
|-----------------------------------|---------------------|
| 55 | 2 |
| 82 | 2 |
| 110 | 2 |

Quickstop Intumescent Couplings have been tested to BS476 Part 20:1987/prEN:1366-3 in masonry walls and concrete floors. Testing is planned for applications in plasterboard partitions and timber floors. For UL/ULC listings please contact our technical sales office.

Acoustic Performance

Quickstop Intumescent Couplings have been tested in conjunction with Acoustic Intumescent Sealant in diamond drilled holes and provided up to a 58db Weighted Sound Reduction Index (Rw). Please contact our technical sales office for details.

Other approvals

BBA Certificate (No. 03/ 4040) certifies that Quickstop Intumescent Couplings can be used as an integral part of solvent weld uPVC /MuPVC pipework systems.

Specification

Fit PFC Corofil Quickstop Intumescent Couplings to provide up to 2 hours fire protection to all PVC pipework where it passes through fire rated walls and floors. Installation to be fully in accordance with manufacturer's instructions. See below for contact details.

To order

Contact our technical sales office (Tel: 020 8391 0533) with the following details:

- Outside diameter of pipework to be protected
- Number of units

Technical Information

For further information relating to the installation and health and safety, please refer to the Quickstop Intumescent Coupling installation instructions.

