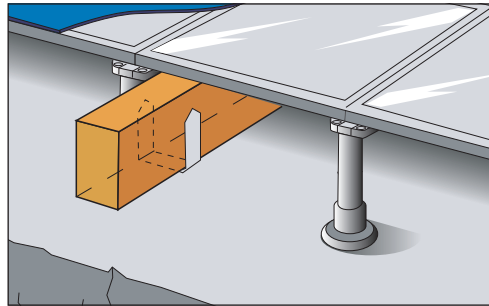




C470 - Raised Floor Firestop

PFC Corofil C470 Raised Floor Firestop is used to form cavity barriers at 20 metre intervals under raised access flooring. Tested to BS476 Part 20, C470 Raised Floor Firestop provides up to 2 hours' fire protection.

- Smoke seal
- Good acoustic insulation
- Simple installation
- Maintenance free
- Unaffected by humidity and moisture



C470 Raised Floor Firestop supported by multipurpose brackets to form a cavity barrier

Description

PFC Corofil C470 Raised Access Floor Firestop is manufactured from a high density, low phenolic binder content rock fibre. PFC Corofil C470 is supplied in one metre lengths and is cut to suit the size of the cavity to be filled. The width of the product is dependent on the fire rating required. (See Fire Rating)

Alternatively the material can be supplied in slab form for conversion on site to suit the cavity.

C470 Raised Access Floor Firestop is installed under compression between the floor slab and raised floor system, taking up any irregularities in the floor slab.

The system is suitable to provide up to 2 hours' fire protection in cavities up to one metre deep.

With cavities in excess of 200mm high, C470 Raised Access Floor Firestop must be supported with C470 multi-purpose brackets fixed to the floor slab, two per section.

C470 must be tightly cut around metal pipes and ductwork. Plastic pipework must be fitted with PFC Corofil Intumescent Pipe Collars. The plastic pipework and cables must then be sealed in with PFC Corofil Firestop Compound, to correspond with the thickness of the barrier.

C470 can be encapsulated with foil to provide an air plenum and smoke seal.

NSPlus

Fire Rating

Depth of cavity	Width of C470 Panel	Fire Integrity Rating	Fire Insulation Rating
10 - 600mm	80mm	120 minutes	80 minutes
601 - 1000mm	100mm	120 minutes	100 minutes

Acoustic Performance

Please consult our sales office with details of:

- Floor construction
- Acoustic rating required

Smoke Seal

PFC Corofil C470 can provide a smoke seal by either:

- Painting the exposed faces of C470 with FASTight paint
- Using foil encapsulated C470 Raised Floor Firestop

Fibre Migration

Fibre migration can be prevented by the use of:

- FASTight paint
- Shrink wrapping cross sections up to 250mm thick x 150mm wide
- Foil encapsulation

Air Plenum

Please consult our sales office for further information.

Specification

Install PFC Corofil C470 Raised Access Floor Firestops to provide up to 2 hours fire seal to the underside of all raised access floor systems. Installation to be fully in accordance with manufacturer's instructions.

To Order

Contact our technical sales office (Tel: +44 (0) 208 391 0533) with the following details:

- Fire rating
- Height of cavity under raised access floor
- Specify if you require the product to be foil encapsulated, shrink wrapped or plain
- FASTight paint - quantity (litres) based on a coverage of 1litre/m²

Technical Information

For further information relating to the installation and Health & Safety please refer to the C470 Raised Access Floor Firestops installation instructions.

