

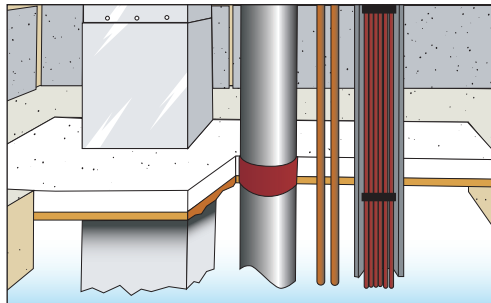


# Firestop Compound

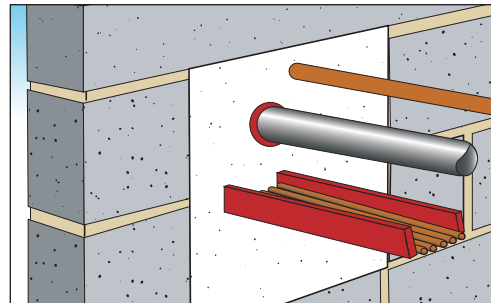
PFC Corofil Firestop Compound is used to provide a fire rated seal around service penetrations in fire rated walls and floors.

Tested to BS476 Part 20, Firestop Compound provides up to 6 hours fire protection.

- Smoke seal
- Good acoustic insulation
- Suitable for making good around most types of service penetrations
- Load bearing
- Simple installation
- No smoke emission
- Maintenance free
- Unaffected by humidity



*PFC Corofil Firestop Compound poured onto permanent mineral fibre shutter in floor*



*PFC Corofil Firestop Compound trowelled into wall*

## Description

Firestop Compound is a specially formulated gypsum based mortar, which is mixed with water to be trowelled or poured around service penetrations\*.

In floors, PFC Corofil permanent shutter panel (50mm) is cut and friction fitted between services and the edges of the floor slab. Firestop Compound is then trowelled over the shutter to a depth of 25mm thick.\* This is allowed to harden. The Firestop Compound is then mixed to a pouring grade and tops the seal up to the required depth.

In walls, Firestop Compound is mixed into a stiff consistency for trowelling into openings.\*

Firestop Compound sets in 30-45 minutes and is capable of accommodating foot traffic in approximately 72 hours.

\*Plastic pipework must be protected with either PFC Corofil Firestop Collars or Intumescent Pipe Wraps. (See data sheets)

NSPlus

CI/SfB

(59) | Y | (K2)

August 2005

PFC COROFIL Firestop Products, Davis Road, Chessington, Surrey KT9 1TU

Tel: +44 (0) 208 391 0533 Fax: +44 (0) 208 391 2723 E-mail: sales@pfc-corofil.com

[www.pfc-corofil.com](http://www.pfc-corofil.com)



### Fire Rating

Fire Rating in hours	Thickness of Compound
1 - 2	75mm
3 - 6	100mm

### Acoustic Performance

Thickness of Compound	Weighted Sound Reduction Index (Rw)
75mm	39db
100mm	46db
150mm	51db

### Coverage of Compound

Thickness of Compound	Number of Bags/m <sup>2</sup>
75mm	3.15
100mm	4.2
150mm	6.3

These are approximate calculations based on 22kg bags. The coverage does not take into account the percentage of the hole filled with services.

### Load Bearing Fire Seals

Thickness of Compound	Load Bearing Area Free of Services
75mm	500 x 500mm*
100mm	750 x 750mm*

The open area free of services: thickness of seal ratios for non-reinforced seals given above, allow an ample safety margin for normal foot traffic; e.g loads of two men plus equipment with a combined weight of up to 200kg.

\* As a further safety margin, we would recommend that all floor seals with clear areas of greater than 750mm x 750mm must be reinforced

\* Please contact our technical department for details.

### Specification

Install PFC Corofil Firestop Compound to provide 1,2,3 or 4 hour fire rating to all service penetrations through all fire rated walls and floors. Installation to be fully in accordance with manufacturer's instructions.

### To Order

Contact our technical sales office (Tel: +44 (0) 208 391 0533) with details of the services, the size of the opening and the required fire rating.

### Technical Information

For further information relating to the installation and Health & Safety, please refer to the Firestop Compound installation instructions.