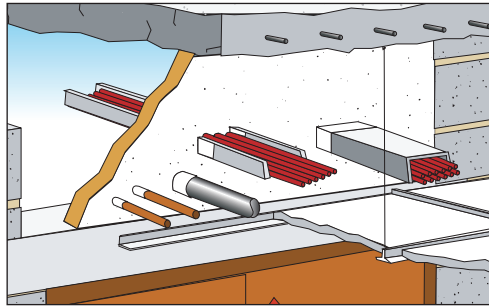




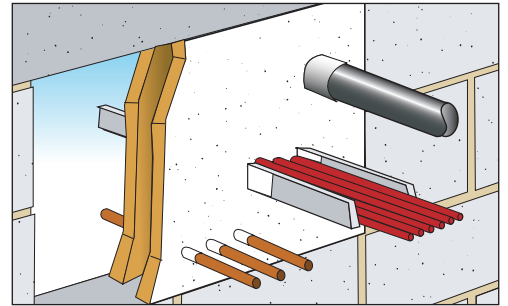
Coated Panel System

PFC Corofil Coated Panel System is used to firestop mechanical and electrical services where they pass through fire rated walls. Tested to BS476 Parts 20 and 22, PFC Corofil Coated Panel System provides up to 4 hours' fire protection.

- Smoke seal
- Good acoustic insulation
- Simple installation
- Light weight
- Suitable to make good around most types of service penetrations
- Unaffected by humidity
- Maintenance free
- Low smoke emission



PFC Corofil Coated Panel fitted around service penetrations in bulkhead above fire door



PFC Corofil Coated Panels firestopping service penetrations in block walls

Description

PFC Corofil Coated Panel System comprises three elements:

- PFC Corofil Coated Panel (1200mm x 600mm x 50mm)
- PFC Corofil Acoustic Intumescent Sealant
- PFC Corofil Fire Rated Coating

PFC Corofil Coated Panels are manufactured by spraying high-density rock fibreboard with a fire rated ablative coating.

The coated panels are simply cut and friction fitted between the services and the edges of the structure.* The fire rated coating and Acoustic Intumescent Sealant are used as an adhesive to bond sections of panel together into a barrier and to the surrounding structure. All joints in the barrier are pointed in with Acoustic Intumescent Sealant to form a monolithic layer.

*(Plastic pipework needs to be sleeved with PFC Corofil Fire Protection Collars prior to installation of the coated panel system.)

In plasterboard partitions, PFC Corofil Coated Panel System must be fitted to both sides of the wall to fire protect the studs.

For large floor openings we would advise using PFC Corofil Firestop Compound (see data sheet).

NSPlus

CI/SfB

(59) X (K2)

August 2005

PFC COROFIL Firestop Products, Davis Road, Chessington, Surrey KT9 1TU

Tel: +44 (0) 208 391 0533 Fax: +44 (0) 208 391 2723 E-mail: sales@pfc-corofil.com

www.pfc-corofil.com

Fire Rating

Construction Tested	Panel Configuration	Fire Rating	
		Integrity	Insulation
Block Wall	1 x 50 mm	4 hours	1 hour
Plasterboard Partition	2 x 50 mm	1 hour	19 mins

Acoustic Performance

Weighted Sound Reduction Index (Rw) of up to 52db.

Please contact our sales office with details of:

- Wall construction
- Acoustic rating required

Smoke Seal

PFC Corofil Coated Panel System will provide a smoke seal around services penetrating through compartment walls.

Fibre Migration

PFC Corofil Coated Panel System will not allow fibre migration as all exposed edges of mineral fibre are encapsulated with an acrylic based polymer.

Colour

White matt finish. Can be over painted if desired.

Specification

Install PFC Corofil Coated Panel System to provide up to 4 hours' fire rating to all service penetrations passing through all fire rated walls. Installation to be fully in accordance with manufacturer's instructions.

To Order

Contact our technical sales office (Tel: +44 (0) 208 391 0533) with details of the service penetrations, the size of opening and the required fire rating.

Technical Information

For further information relating to the installation and Health & Safety, please refer to the Coated Panel System installation instructions.

